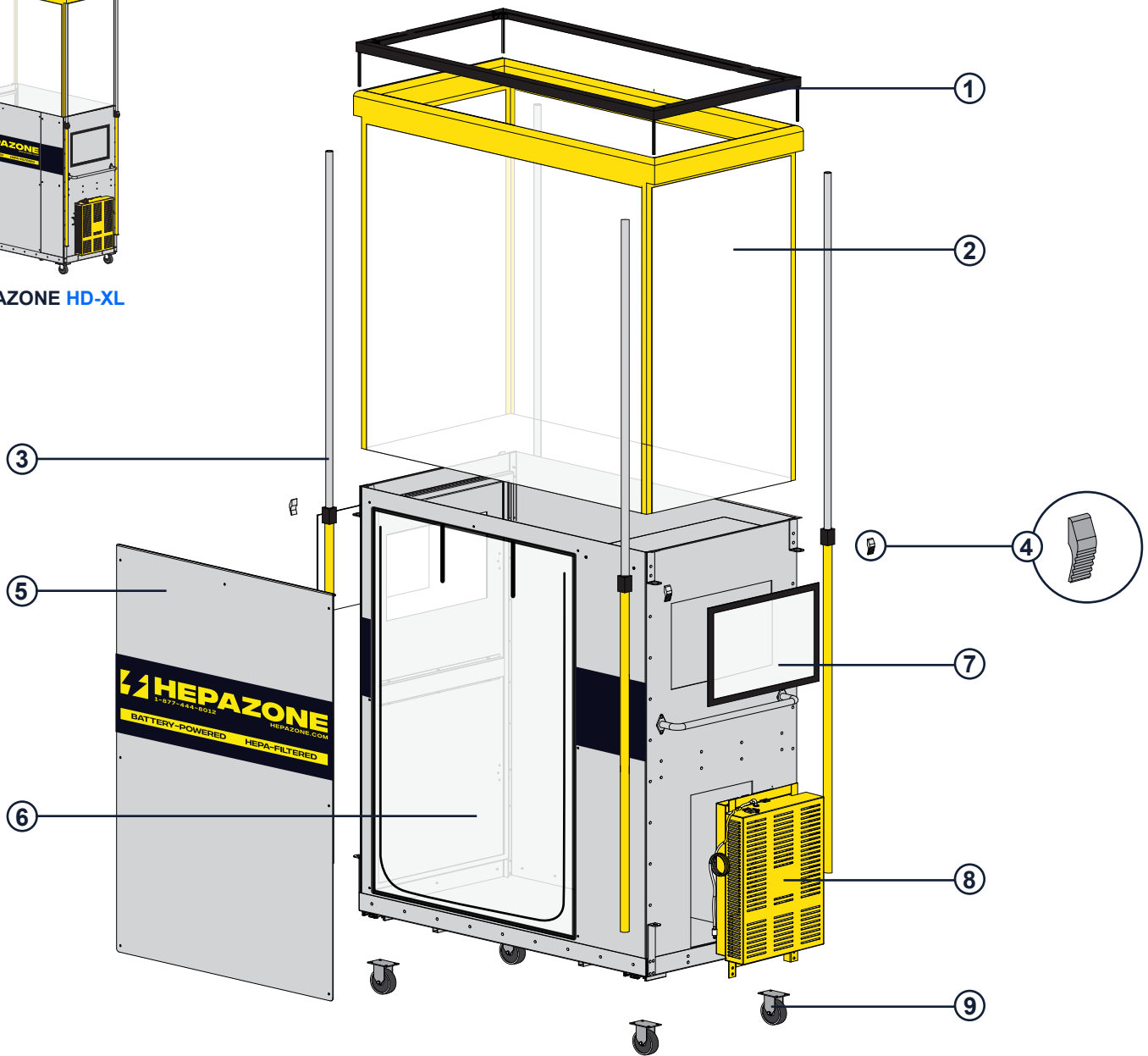




HEPAZONE HD-XL



REF.	PART NO.	DESCRIPTION	QTY
1	HZM_XL_010	32" x 75" Top Frame	1
2	HZM_07XL	Vinyl Cab (HepaZone HD-XL)	1
3	HZ-11M	Ratchet Pole (HepaZone HD-XL)	4
4	HZ-09	Latch for Ratchet Pole	4
5	HZM_XL_200_A	Removable Wall (Optional)	1
6	HZM-TRWALL-XL	Vinyl Acces Door (Removable Wall Option - HepaZone HD-XL)	1
7	HZM-WINDOW	Removable Vinyl Window	2
8	MVH-01	HepaNomad	1
9	HZ-34	5" Locking Swivel Casters	4